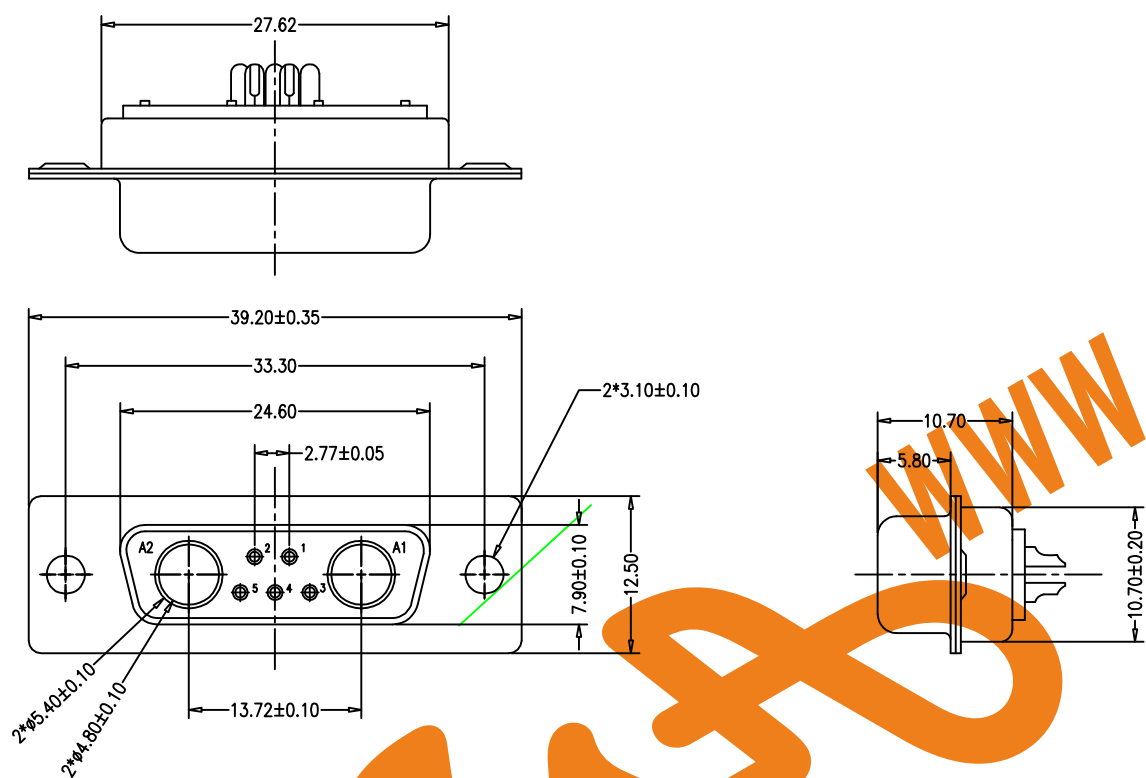


# Coaxial D-SUB 7W2 FEMALE Solder Cup

ROHS COMPLIANT



## ELECTRICAL CHARACTERISTICS:

Dielectric withstanding Voltage: AC 1000V r.m.s.  
 Insulation Resistance: 500 Megohms Minimum at DC 500V  
 Contact Resistance: 25 Milliohms  
 Operating Temperature: -20°C~+85°C

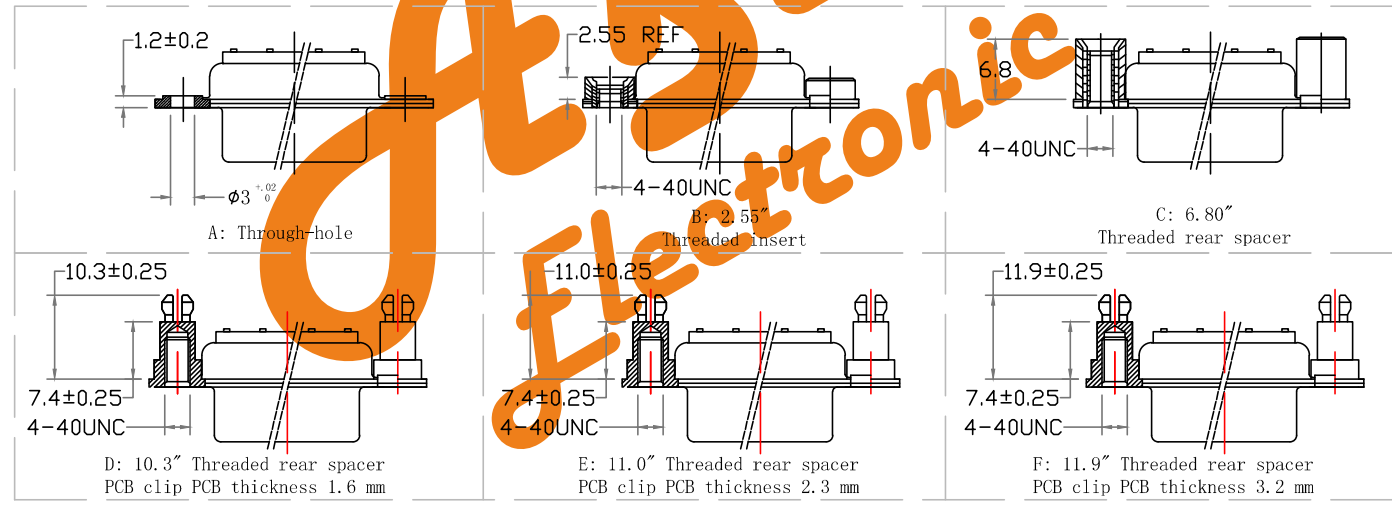
## MATERIALS:

Insulator: PBT, UL 94V-0 Rated  
 Shell: Cold Roller Steel

## Ordering Code:

PDC7W2	-F	-G0	-B	-X	-00
①	②	③	④	⑤	⑥

- ① Series
- ② Contact Type:  
M: Male F: Female
- ③ Contact NO. :  
G0: Gold flash G1: 3u" Gold  
G2: 5u" Gold G3: 10u" Gold  
G4: 15u" Gold G5: 30u" Gold
- ④ Insulation Color Code:  
B: Black L: Blue  
W: White
- ⑤ Mounting Option:  
A: Through-hole  
B: 2.55" Threaded insert  
C: 6.80" Threaded rear spacer  
D: 10.3" Threaded rear spacer  
E: 11.0" Threaded rear spacer  
F: 11.9" Threaded rear spacer  
PCB clip
- ⑥ Series



Unless Otherwise specified tolerance  
 X.±0.35  
 X.X:±0.25  
 X.XX:±0.20  
 X.XXX:±0.15

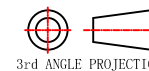
**AsA** [WWW.AsA-Elec.com](http://WWW.AsA-Elec.com)  
**Electronic**  
**AsA Electronic Co.**  
 Tel : (+98) 21 66 73 56 82 Mob : (+98) 912 03 161 02

SCALE: 1:1 UNIT: mm

DRAWN: junfon H

CHECKED: YANG

TITLE:  
Coaxial D-SUB 7W2 FEMALE Solder Cup



DRAWING NO: PDC7W2-FXXXX00

PRODUCT NO: PDC7W2-FXXXX00

REV	Add option of plating	12/7/17
1	DESCRIPTION	DATE